



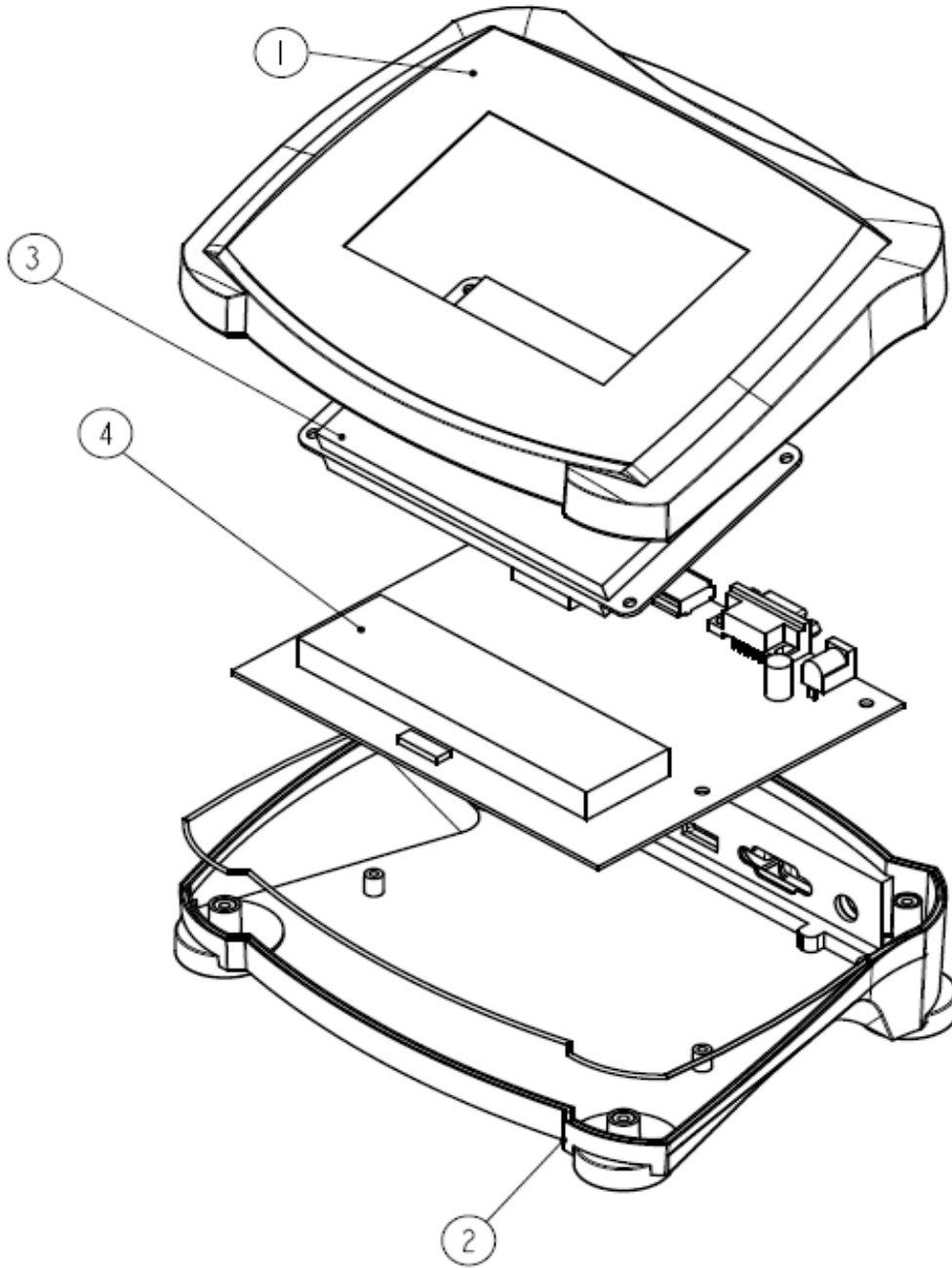
*After*Market
Parts • Service • Support • Accessories

Service Parts List

Click on the model being serviced

<u>ST5000</u>
<u>ST5000i</u>

Note: ST5000i only selling in China Market



Drawing Item	Part Number	Description
1	30134486	SP, Housing Top Kit, ST5000
2	30134487	SP, Housing Bottom Kit, ST5000
3	30134488	SP, LCD Touch Screen, ST5000
	30282083	LCD, Sp.P, ST5000i (China market only)
4	30134489	SP, PCBA, ST5000
	30282082	PCBA, Sp.P, ST5000i (China market only)
NS	30059316	SP Cable Adapter RS232 F-M SF40A
NS	83033973	PWR,W,IN,10W,9VDC,S21x55x9x80,S
		PWR,ACCES,AC-PRONG,SET,EU-US-AU-UK
NS	30007680	PWR,ACCES,AC-PRONG,RPC-CHINA
NS	46001728	PWR,W,IN,10W,9VDC,S21x55x9x80,S